

45cm Compact Freestanding Dishwasher

Stainless Steel

AESTHETICS

- Stainless Steel Finish
- Button Controls with LED Display

FUNCTIONALITY

- Capacity: 10 Place Settings
- 6 × Wash Programs
- Auto Door Open
- Lift-Up Height Adjustable Upper Basket
- Third-layer Cutlery Drawer
- Stainless Steel Tub & Base
- 1–24hr Delay Start
- 75° C Max Water Temperature
- Triple stage Filtration
- Anti Bacterial & Extra Clean functions
- Half Load & Extra Dry Functions

FUNCTIONS

- ECO
- Intensive
- Heavy
- 90 min
- Glass
- Rapid

SAFETY

- Child Lock
- AquaStop Overflow Protection

SIZE, W/D/H (MM)

- | | |
|----------|------------------|
| Packaged | 645 × 495 × 871 |
| Physical | 448 × 600 × 845* |

WEIGHT (KG)

- | | |
|-----------|-----------|
| Net: 37.6 | Gross: 41 |
|-----------|-----------|

MAX NOISE LEVEL

49 dB(A) re 1 pW

CONSUMPTION

- | | |
|----------------------|------------------|
| Energy Rating (MEPS) | 3.5 Stars |
| Energy Consumption | 276 kWh per year |
| Water Rating (WELS) | 4.5 Stars |
| Water Consumption | 12.48L per wash |

INSTALLATION

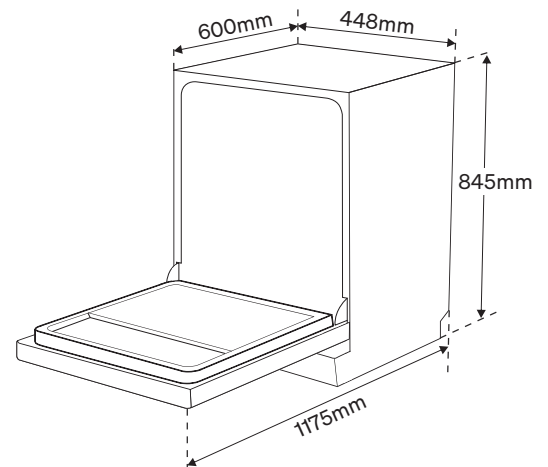
- | | |
|--------------------------|--------------|
| Freestanding or Built-in | |
| Water Connection | Cold Water |
| Length of Hose | 1.8m |
| Inlet / Drain | 1.5m / 1.6m |
| Water Pressure: | 0.04–1.00MPa |

POWER REQUIREMENTS

- | | |
|-----------------|----------|
| Supplied Plug | 10 amp |
| Rated Voltage | 220–240V |
| Rated Frequency | 50Hz |

ADDITIONAL DETAILS

- | | |
|----------|---------------|
| Barcode | 9349260096387 |
| Warranty | 3 Years |



* Height can be reduced to 815mm for built-in installation. See the user manual for detailed ventilation and installation details.