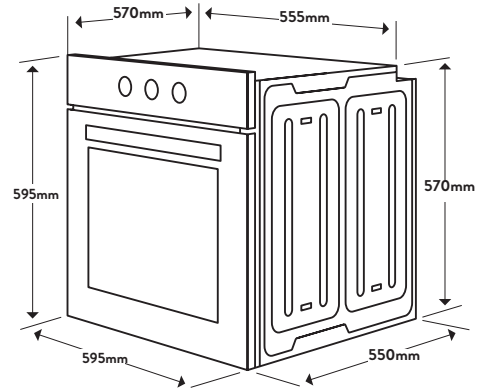


Dimensions/Weight

Overall Dimensions (mm):	595(h) x 595(w) x 570(d)
Flush Mount Cut-Out (mm):	598(h) x 598(w)
Weight:	32.1kg



Technical Details

Style

Oven Type:	Standard
Category Size:	60cm
Capacity:	90 Litre

Functionality

Oven Functions:	Defrost Fan Force Conventional Conventional with Fan Assist Grill Grill with Fan Assist
Max Cooking Temperature:	270°C
Clock:	Yes
Display:	White LED Display
Timer:	Fully Programmable
Number of Shelf Positions:	12
Interior Light:	Yes

Features & Accessories

Accessories:	2 x Chrome Wire Shelves 1 x Baking Tray with Grill Insert 1 x Full Extraction Telescopic Runner Set
Easy View Door:	Yes
Cooling Fan:	Yes
Cool Touch Door:	Yes

Installation

Maximum Current:	2800W
Connection:	240V, 50Hz
Installation Type:	Built-In Hardwired

Made In:	Europe
Warranty:	5 Years Parts & Labour

Aesthetics

Finish:	Pure Black Glass
Controls:	Knob and Touch Controls
Door:	Top Opening, Double Glazed

Key Features

- 90L** **90L Capacity**
 With an 80mm deep baking tray and the large 90L capacity, you can maximise the usage of your oven to accommodate more food.
- 12** **12 Rack Positions**
 12 rack positions inside the oven provides maximum flexibility. You can easily move the shelves to fit more food or place it in a better position for perfect cooking results.
- Multifunction**
 Multifunction ovens enable you to cook with a combination of heat from the top and bottom elements. This offers more versatility, control and better results when cooking a variety of dishes.

Customer Care

T: 1300 11 4357
E: sales@residentiagroup.com.au

NB: Drawings are not to scale - they are to assist only.
WARNING: technical specifications and product sizes can be varied by the manufacturer without notice. Cutouts for appliances should only be by physical product measurements.
The above information is indicative only.